



- 600 KHz High Speed Input Frequency
- 2 Lines, 7 Digits
- Functional External Z (Reset) Input
- Functional External Hold Input
- Quadrature Mode Up-Down Counter
- Prescale Can Be Adjustable (0,000001 – 9999999)
- 5 VDC or 12 VDC Encoder Power Output
- 11 Different Control Modes
- Offset Value
- Password Protection

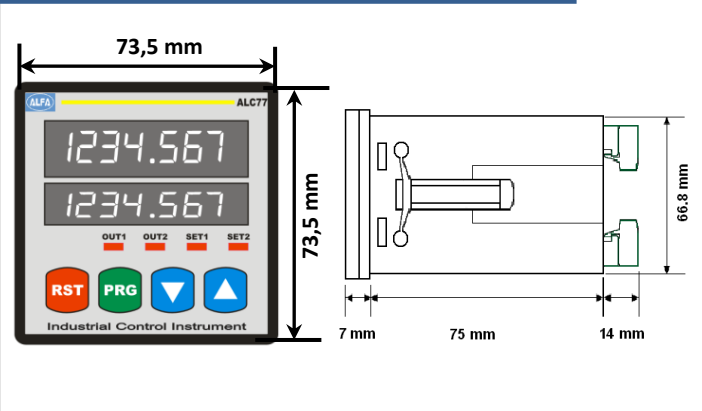
The ALC 77 Series are counters that perform forward / reverse counting at a high input frequency of 600 KHz in quadrature mode (4 multiplier) to which sensors such as encoders that transmit digital pulse signals are connected. Thanks to the high input frequency, encoders with high resolution and high speeds can be connected. A and B encoder with pulse signals or NPN / PNP signal input

With the help of the buttons on the device is very easy to use and can be adjusted easily. The relay contact outputs can be set in 11 different modes. Sensors such as rotary encoders, linear encoders, limit switches commonly used in the machinery and automation sector can be connected.

Technical Specifications

Power Supply	24 VAC/DC 50/60 Hz 85-265 VAC 50/60 Hz
Power Consumption	5,5 VA / 4,4 W Maximum
Sensor Power Supply	5 VDC 100 mA (TTL Sensor) 12 VDC 100 mA (Push-Pull Sensor)
Wiring	2,5 mm ² Socket Terminal
Inputs	A/B Encoder Pulse Input (600 KHz) Z(External Reset) Input(EDGE can be selected by Menu) Hold Input (EDGE can be selected by Menu)
Outputs (Relays)	2 pcs 250 VAC 3A (For resistive load) Relay
Dimensions	73,5 x 73,5 x 96 mm
Weight	300 grams
Relative Humidity	Up to 31 °C %80, above 31 °C linear decreasing and at 40°C %50
Storage Temperature	-10 to 60 °C
Operating Temperature	0 to 50 °C
Protection Class	IP60 Front Panel, IP20 Rear Panel

Mechanical Dimensions

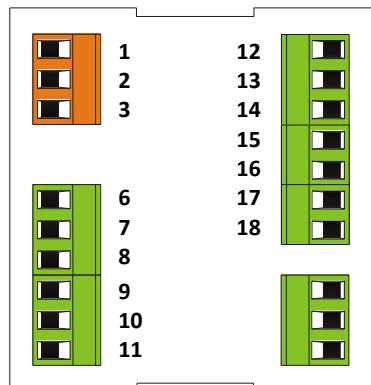


Connection

Power Supply
24 VAC / DC or
85 / 265 VAC

L +
N -
Ground

OUT 1
COM
NO
NC
OUT 2
COM
NO
NC



+ +5 Vdc or +12 Vdc
GND
A Encoder signal input
B Encoder signal input
Z sıfırlama signal input
Hold tutma signal input
Sensor Ground

TX
RX
GND
RS-232
These outputs are optional.

Order Code

