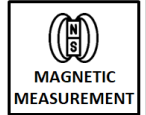
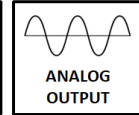




GENERAL FEATURES

- Non-contact measurement
- 12 bit resolution
- User-selectable angle values between 0-360 °
- 0-10 VDC, 4-20 mA or ratiometric output options
- 6 mm shaft diameter
- IP67 protection class
- Long service life
- Compact design
- High accuracy



The RCS 3700 series sensors are used for taking angle measurement between The measuring limits can be adjusted between 0-360 ° depending on the user request. They have 0-10 V, 4-20 mA or ratiometric outpput options.



RCS 3700 angle sensors with high accuracy, compact design and robust construction; offers suitable solutions for angle measurement in industrial areas like crane and lifting systems, robotic systems, solar energy, wind power plants, auto parts etc.

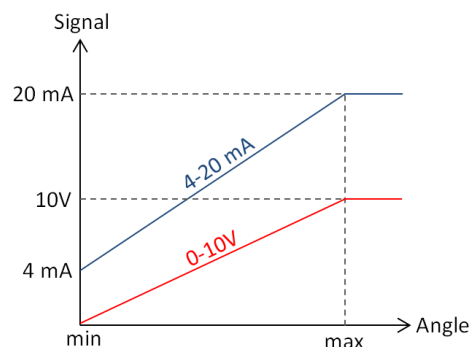
TECHNICAL SPECIFICATIONS

*Measuring Range	Can be produced in the desired range from 0 to 360 °			
Measuring Type	Magnetic, non-contact			
Linearity	±%0.3 FS			
Resolution	12 bit			
Repeatability	0.1°			
Response Frequency	250 Hz			
*Output Signal		Ratiometric	0...10VDC	4...20 mA
	Supply Voltage	5 VDC	15...32 VDC	9...32 VDC
	Load	≥ 1KΩ	≥ 1KΩ	0...250 Ω
Reverse Polarity Protection	Yes, only supply			
Electrical Connection	3 x 0,14 mm ² shielded cable			
Max Operational Speed	120 rpm			
Protection Class	IP67			
Operating Temperature	-25°C ... +85°C			
Material	Body: Aluminum			
	Shaft: Stainless Steel			

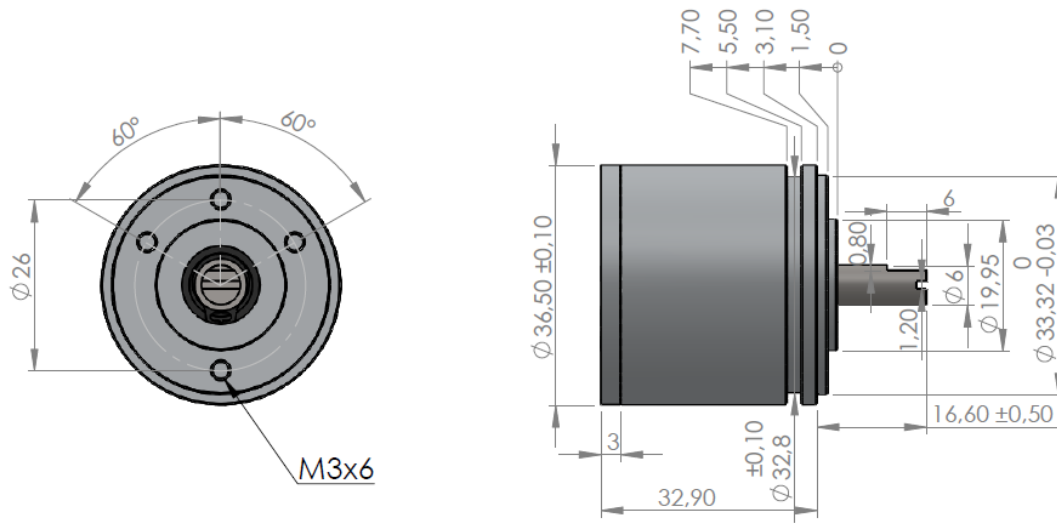
Note: The specifications specified by (*) vary depending on the model selected. The detailed code table for product selection is shown on page 2.

ELECTRICAL CONNECTION

	
SIGNAL	CABLE COLOR
+V	Red
0V	Black
Output Signal	Yellow

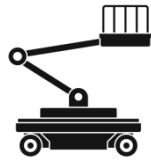


MECHANICAL DIMENSIONS (mm)

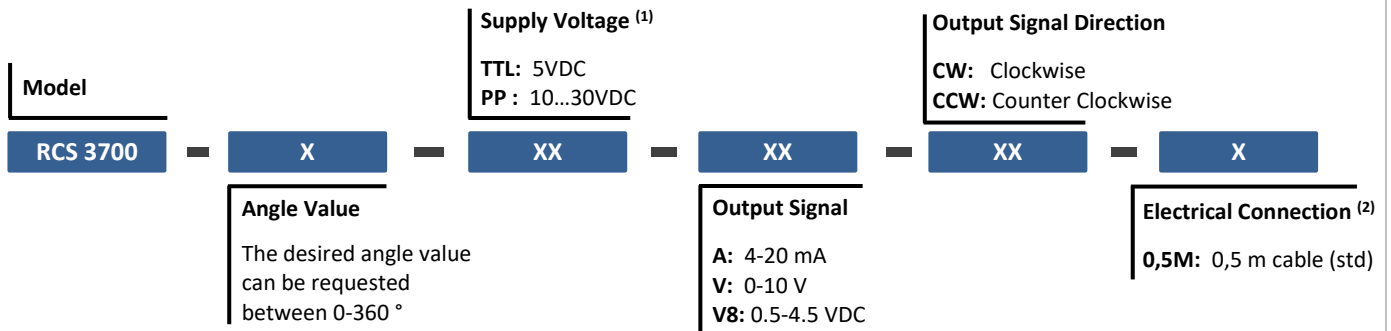


SAMPLE APPLICATION FIELDS

- Robotic systems
- Auto parts
- Solar and photovoltaic systems
- Automated guided systems
- Crane and lifting technology
- Wind power plant



PRODUCT CODE



(1) When the output signal is selected as 4-20 mA or 0-10V, the supply voltage must be PP, and when the ratiometric is selected, the supply voltage must be TTL.

(2) Optionally, different cable lengths can be requested.

Sample Code: RCS 3700-30-PP-V-CW-0,5M

RCS 3700 series, 0-30° measuring range, PP supply, 0-10V output, Output signal direction is clockwise, 0.5 m cable

فروشگاه کانون ابزار

تلفن : 021 66 39 39 00
موبایل : 0912 147 3023
www.ali5.ir



Gebze OSB, 800. Sokak, No:814 Gebze/KOCAELI/TURKEY



Tel: +90 262 673 76 00



Fax: +90 262 673 76 08



www.ateksensor.com



info@ateksensor.com