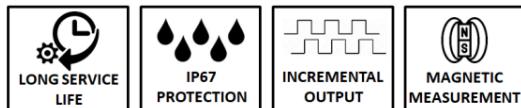




- High accuracy and repeatability
- Magnetic measurement
- Contactless / non-friction system
- Slim profile structure
- High tolerance to vibration and shocks
- Resistant to dust, oil and moisture
- No maintenance required
- Robust aluminum body
- IP67 protection class
- Easy installation

MLC 320 magnetic linear encoder systems measure non-contact and gives an output signal as an incremental encoder pulse.

They are not affected by external factors due to its slim and compact design. MLC 320 sensor is housed along the aluminum profile. Extra protection from dust, dirt and chips is provided by having a seal protection system. It is the ideal solution for machining environments. It can be produced up to a measuring length of 20.000 mm.



MLC 320 Series Linear Encoders Are Mainly Used In:

- Lathes, Milling, Drilling, Grinding Machines
- Sheet Metal Working Machines
- Welding Machines
- Bending Machines
- Robotics/Materials Handling
- Marble Machines
- Wood Cutting Machines
- PVC Profile Cutting Machines
- Glass Working Machinery
- Etc...**

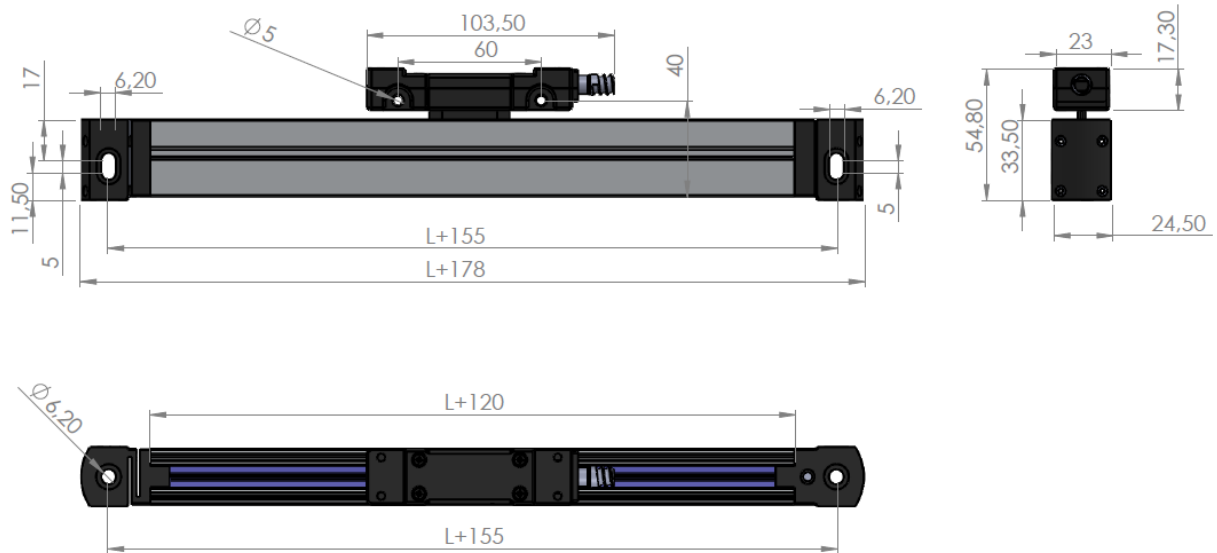
Technical Specifications	
Resolution	1µm, 5µm, 10µm, 25µm, 50 µm, 62.5µm, 80µm (optional other resolutions)
Measuring Principle	Magnetic
Output Type	Push-Pull or TTL RS422 Line Driver
Output Signals	A, /A, B, /B, Z, /Z
Input Current	Maximum 40 mA per Channel
Supply Voltage	PPL: 10..30 VDC or TTL: 5 VDC
Body Material	Sensor: Nickel Plated Aluminum Scale Profile: Anodized Aluminum
Electrical Connection	D-Sub 9 Pin, 5 or 8 x 0,14 mm ² shielded cable
Tape Reading Distance	0,1 mm to 2 mm
Accuracy	± 40 µm/m or ± 20 µm/m
Operating Speed	3 m/s
Repeatability	± 1 Pulse
Operating Temperature	-25°C ... +85°C
Protection Class	IP67

Standard Stroke Lengths (mm)

100	120	150	170	200	220	250	270	300	320
350	370	400	420	450	470	500	520	550	570
600	650	700	750	800	850	900	950	1000	

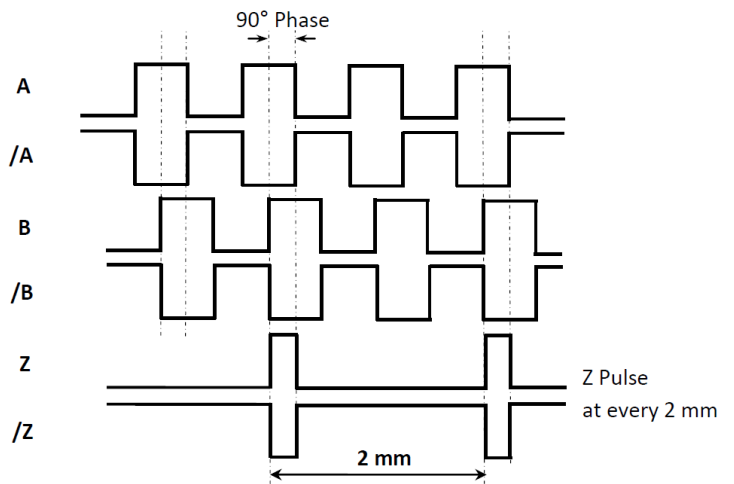
*Please contact for other strokes.

Mechanical Dimensions



Electrical Connections

SIGNAL	CABLE COLOR	D-SUB 9 PIN / SOCKET PIN NO
A	Yellow	1
/B	White	2
+V	Red	3
0V	Black	4
/A	Blue	5
B	Green	6
/Z	Grey	7
Z	Pink	8
-	Shield	9



Order Details

Model	Magnetic Tape	Resolution	Power Supply and Output	Signal Output Types	Cable Length	Cable Type
MLC320	B2	01 : 1µm 05 : 5µm 10 : 10µm 25 : 25µm 50 : 50µm 62,5 : 62,5µm 80 : 80µm	TTL : 5VDC Supply Voltage, 5 VDC TTL RS422 Line Driver Signal Output PP : 10...30 VDC Supply Voltage, 10...30 VDC Push-Pull Signal Output HTL : 10...30 VDC Supply Voltage, 5 VDC TTL RS422 Line Driver Signal Output HPL : 5...30 VDC Supply Voltage, 5...30 VDC Push-Pull Signal Output	2 : A, B 3 : A, B, Z 4 : A, /A, B, /B 6 : A, /A, B, /B, Z, /Z	3M : 3 meters 3.5M : 3,5 meters 4M : 4 meters 5M : 5 meters 6M : 6 meters 7M : 7 meters 8M : 8 meters 9M : 9 meters 10M : 10 meters 15M : 15 meters * Please ask for other options	C : PUR Cable S : Spiral

Standard, Z Signal at every 2 mm

See standard stroke lengths table, contact for other stroke lengths.